

POWER TAKE-OFF 3.2.68.5.

FOR GEARBOX :

RENAULT B9-B18 ratio 1:1

POWER TAKE-OFF 3.2.68.6.

FOR GEARBOX :

RENAULT B9-B18 ratio 1,5:1

POWER TAKE-OFF 3.2.68.7.

FOR GEARBOX :

RENAULT B9-B18 ratio 1:1 slow shaft
ratio 1,5:1 fast shaft

Technical data: refer to transmission application manual.

POWER TAKE-OFF	OUTPUT TORQUE	WEIGHT: kg.
3.2.68.5	Kgm 30	19,1
3.2.68.6	Kgm 40	18,7
3.2.68.7	<ul style="list-style-type: none"> Kgm 30 slow shaft output Kgm 40 fast shaft output Kgm 45 simultaneous outputs on both shafts 	22,1

3.2.68.X.1.0000

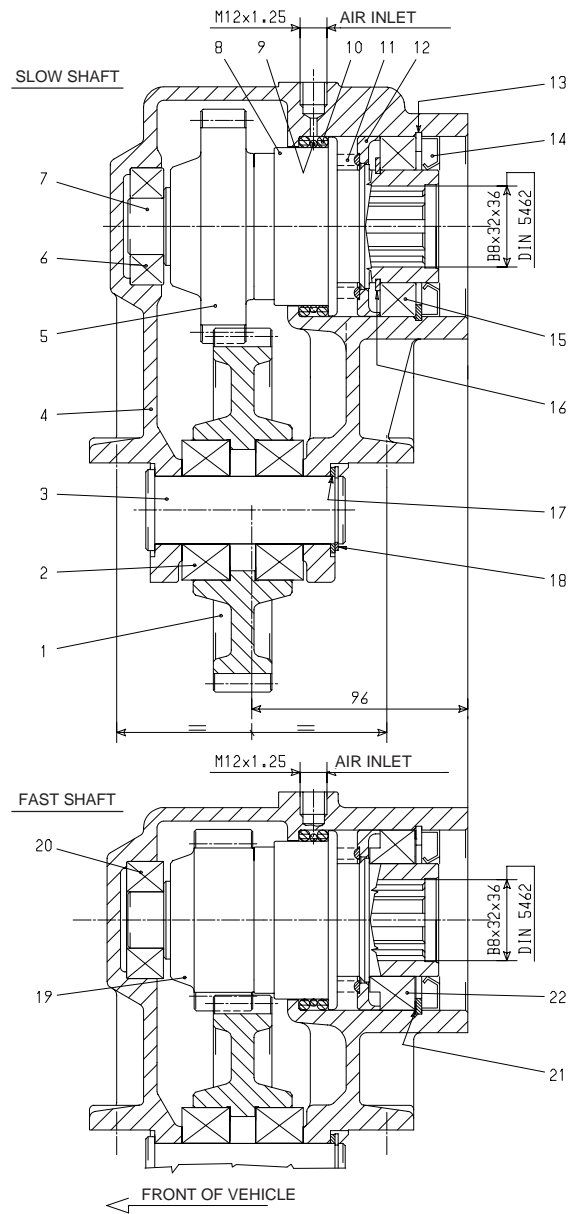
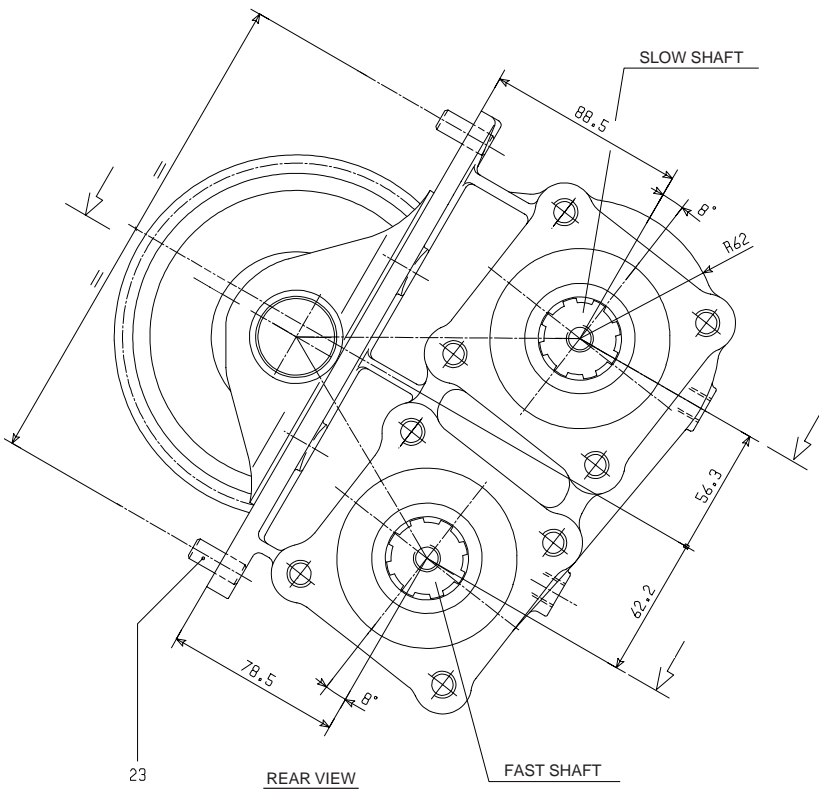
BASIC SERIAL NUMBER

GEARBOX TYPE

- 5** = RENAULT B9-B18 ratio 1:1
- 6** = RENAULT B9-B18 ratio 1,5:1
- 7** = RENAULT B9-B18 ratio 1:1 fast shaft
ratio 1,5:1 slow shaft

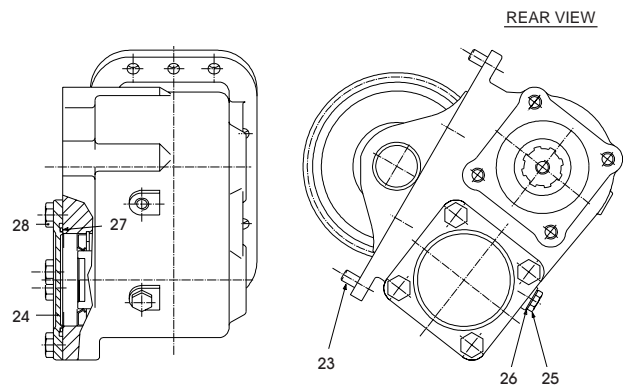
OUTPUT SHAFT OPTION

DESCRIPTION	
For remote transmission DIN 00/SPICER 1120 (see chart X group E)	KIT 2.05.330.0000
For remote transmission DIN 10/SPICER 1300 (see chart X group E)	KIT 2.05.323.0000
Direct mounting PZB pumps-3 bolt mtg. flange (see chart Y type M)	KIT 2.05.324.0000
Direct mounting ISO 4 bolt mtg. flange pumps (see chart Y type H)	KIT 2.05.087.0000



REF.	CODE	DESCRIPTION	3.2.68.5.1		
			3.2.68.6.1	3.2.68.7.1	QT.
1	1.11.01.116.00	Gear 41 T	1	1	1
2	0.10.05.015.00	Bearing 32206	2	2	2
3	1.14.01.049.00	Shaft	1	1	1
4	1.01.03.060.00	Housing	1	1	1
5	1.11.07.126.00	Gear 25 T	1	-	1
6	0.10.01.001.00	Bearing 6205	1	-	1
7	1.13.01.149.00	Shaft	1	1	2
8	1.21.02.036.00	Piston	1	1	2
9	0.08.02.109.00	O-Ring OR 4250	1	1	2
10	0.08.02.119.00	O-Ring OR 6275 VITON	2	2	4
11	1.28.01.075.00	Coil spring	1	1	2
12	1.26.01.113.00	Ring	1	1	2
13	0.07.02.012.00	Circlip 80i UNI 7437	1	1	2
14	0.08.01.023.00	Seal 50x80x8	1	1	2
15	0.10.01.004.00	Bearing 6010	1	-	1
16	0.07.01.013.00	Circlip 50e UNI 7435	1	-	1
17	1.26.01.003.00	Spacer 218A/9	1	1	1
18	0.07.01.008.00	Circlip 30e UNI 7435	1	1	1
19	1.11.07.125.00	Gear 18 T	-	1	1
20	0.10.05.007.00	Bearing 30205	-	1	1
21	0.04.01.100.00	Washer 79,5x70x0,5	-	1	1
22	0.10.05.027.00	Bearing 32010X	-	1	1
23	0.05.01.005.00	Roll pin 10x24 H8 UNI 1707	2	2	2
24	1.24.01.095.00	Cover	1	1	-
25	1.30.03.006.00	Plug mod61/2	1	1	-
26	0.04.01.004.00	Washer 12,5x18x1	1	1	-
27	0.08.02.114.00	O-Ring OR 3325	1	1	-
28	0.01.01.081.00	Capscrew TE M12x20 UNI 5739 CL RES 8.8	4	4	-

3.2.68.5.1.0000



3.2.68.6.1.0000

